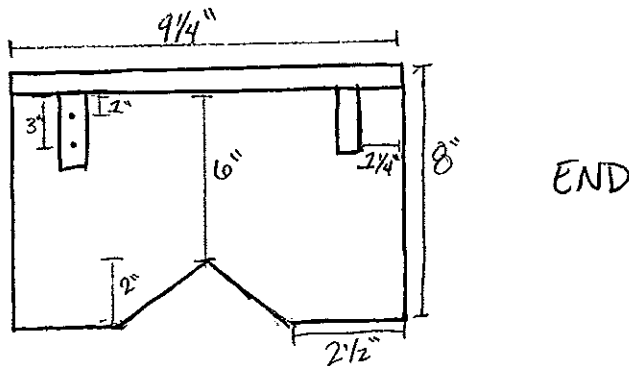
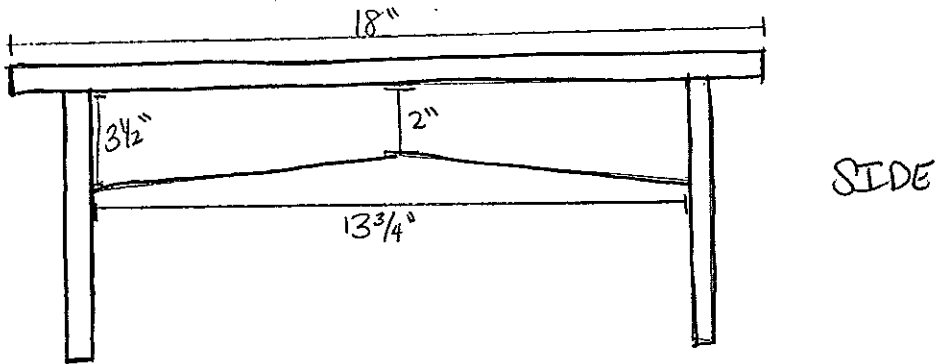
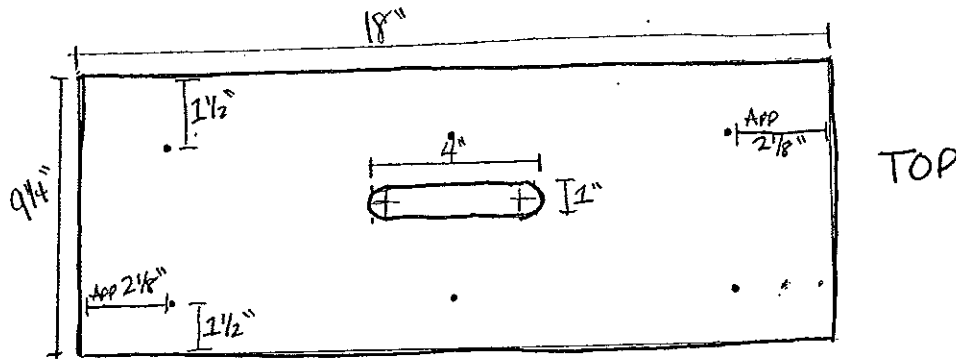


STEP STOOL



Bill of Materials

1' x 10" x 4"
14 - 1 1/2" wood screws

Procedure

1. Cut top.
2. Put handle in.
3. Cut end pieces.
4. Rip 13 3/4" pieces.
5. Cut angles.
6. Assemble ends & braces.
7. Attach top.